

## Introduction

## Product Features

# Specifications

### EZ3000CX EZ6500CXS

- ▶ Basic Specifications
- ▶ Variation
- ▶ Product Appearance

### ▶ Comparison of the new and current model (50Hz)

- ▶ Comparison of the new and current model (60Hz)



### Comparison of the new and current model: Difference of EZ and EP/ER/EG (60Hz)

Model	New EZ3000CX	EP2500	ER2500	New EZ6500CXS	EG6500CXS
Appearance					
Engine	GP200	GX160	GP160	GX390	GX390
Rated Voltage / Frequency	(V/Hz)	220 / 60	220 / 60	220 / 60	220 / 60
Max. Power	3.0		2.5	6.5	6.5
Rated Output	2.6		2.3	5.5	5.5
Rated Current	11.8		10.5	25.0	25.0
Voltage Adjustment System		AVR		AVR	AVR
Volt Meter		○		○	○
Pilot Lamp		×		○	×
DC Output		×		×	○
Oil Alert		○		○	○
Effective Fuel Tank Capacity	11.5		15	15.5	24
Fuel Gauge		○		○	○
Starting System		Recoil	Recoil	Recoil & Electric starter	Recoil & Electric starter
Plug Outlet		1		2	2
Dimensions L/W/H	(mm)	597 x 432 x 437	591 x 432 x 462	690 x 670 x 610	844 x 530 x 571
Dry Mass	(kg)	44	45	80	76
Wheel Kit	○		×	○	Option

**HONDA**

PRODUCT CONCEPT GUIDE

For Internal Use Only

**EZ3000CX**  
**EZ6500CX**

- ▲ Basic Specifications
- ▲ Variation

▲ **Product Appearance**

- ▲ Comparison of the new and current model (50Hz)
- ▲ Comparison of the new and current model (60Hz)

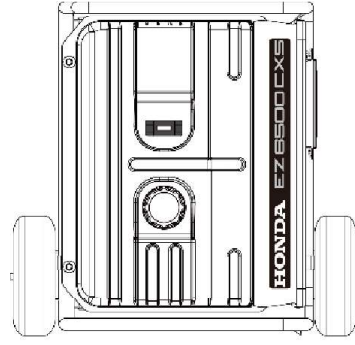


**Product Appearance (EZ6500CX)**

\* Listed values are as of Mar. 2019. Please note that these data are subject to change.

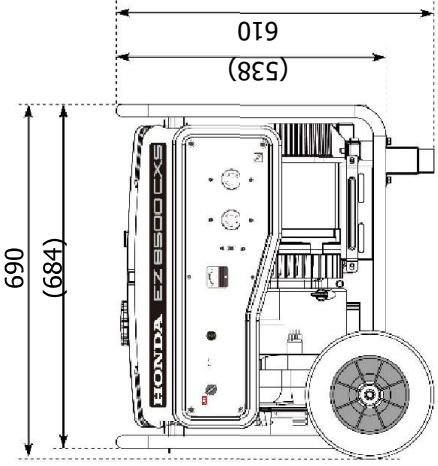
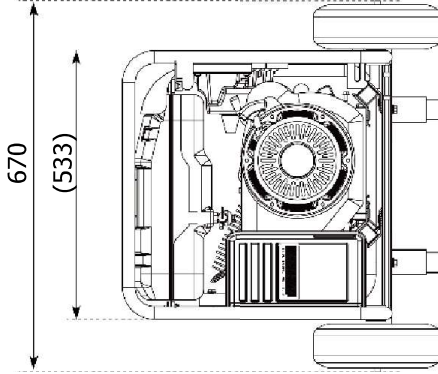
**EZ6500CX**

Unit : mm

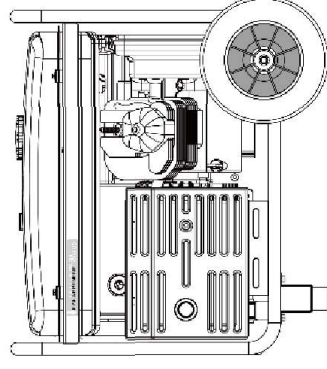
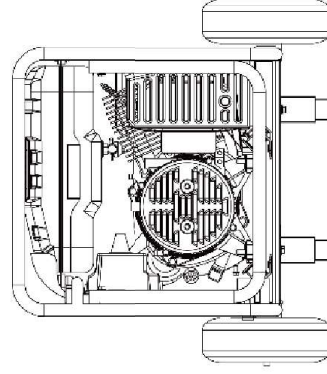


690  
(684)

670  
(533)



610  
(538)



## Introduction

## Product Features

# Specifications

### EZ3000CX EZ6500CX

#### Basic Specifications

#### Variation

#### Product Appearance

Comparison of the new and current model (50Hz)

Comparison of the new and current model (60Hz)



## Variation

Model	EZ6500CX						
Type	R	REH	RK	S	M	K	LS
Market (Typical Country)	SADC	Indonesia	Kenya	Peru	South Africa	Nigeria	Saudi Arabia
Applicable Standard etc.					Safe	SONCAP	SASO
Rated Voltage (V)		220				230	
Frequency (Hz)		50		60	50		60
Max. Power [kVA]		5.5		6.5	5.5		6.5
Rated Output [kVA]		5.0		5.5	5.0		5.5
Rated Current [A]		22.7		25.0	21.7		23.9
Voltage Adjustment System				AVR			
Outlet	250V 30A X2	250V 16A X2	250V 13A X2	250V 30A X2	250V 16A X2	250V 30A X2	250V 13A X2
Voltmeter							
Pilot Lamp							
Engine (Name/Model)		GX390HI EDS2		GX390H1 EDF6		GX390H1 EDS2	GX390H1 EDF6
Valve Mechanism				4-stroke, overhead valve, single cylinder			
Displacement [cm <sup>3</sup> ]				389			
Engine Speed [rpm]		3000		3600		3000	3600
Max. Power				11.1PS(3600rpm)			
Oil Capacity [L]				1.1			
Starter System				Recoil & Electric starter			
Oil Alert							
Effective Fuel Tank Capacity [L]				15.5			
Fuel Gauge							
Fuel Consumption (Rated 50Hz)[L/h]				2.7L/h			
Max. Continuous Operating Time (Rated)[hr]		5.8		5.4		5.8	5.4
Accessories				Instruction Manual			
				Engine tools			
				Supplied plug X2			
				2 Wheels + U type Handle			
				690 x 670 x 610			
Dimensions L/W/H [mm](With Wheel)				80.0			
Dry Mass [kg]				92.0			
Wet Mass [kg]							

## Introduction

## Product Features

# Specifications

**EZ3000CX**  
**EZ6500CX**

### Basic Specifications

- ▶ Variation
- ▶ Product Appearance
- ▶ Comparison of the new and current model (50Hz)
- ▶ Comparison of the new and current model (60Hz)



**Basic specifications** \* Listed values are as of Mar. 2014. Please note that these data are subject to change.

### New EZ3000CX



### New EZ6500CX



Rated Voltage / Frequency	(V/Hz)	220 / 50	220 / 60	220 / 50	220 / 60
Max. Power	(kVA)	2.5	3.0	5.5	6.5
Rated Output	(kVA)	2.3	2.6	5.0	5.5
Rated Current	(A)	10.5	11.8	22.7	25.0
Voltage Adjustment System		AVR	AVR	AVR	AVR
Name, Type		GP200H VXH1	GP200H VXH2	GX390H1 EDF2	GX390H1 EDS6
Valve Mechanism		4-stroke, overhead valve, single cylinder	4-stroke, overhead valve, single cylinder	4-stroke, overhead valve, single cylinder	4-stroke, overhead valve, single cylinder
Displacement	(cm <sup>3</sup> )	196	196	389	389
Engine Speed	(rpm)	3000	3600	3000	3600
Max. Power	(PS/rpm)	5.6 / 3600	5.6 / 3600	11.1 / 3600	11.1 / 3600
Oil Capacity	(L)	0.6	0.6	1.1	1.1
Starting System		Recoil	Recoil	Recoil & Electric starter	Recoil & Electric starter
Oil Alert		○	○	○	○
Effective Fuel Tank Capacity	(L)	11.5 (Up to the red level)	11.5 (Up to the red level)	15.5 (Up to the red level)	15.5 (Up to the red level)
Fuel Gauge		○	○	○	○
Max. Continuous Operating Time	(h)	7.3	6.9	5.8	5.4
Dimensions L/W/H	(mm)	660 x 560 x 530	660 x 560 x 530	690 x 670 x 610	690 x 670 x 610
Dry Mass	(kg)	44	44	80 (Without Battery)	80 (Without Battery)

**HONDA**

PRODUCT CONCEPT GUIDE

For Internal Use Only